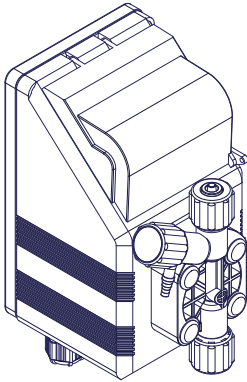


"F" series Metering Pumps

Data Sheet

"F Self Venting"

Configuration



Power supply: 230 VAC (190÷265 VAC)
 Power supply: 115 VAC (90÷135 VAC)
 Power supply: 24 VAC (20÷32 VAC)
 Power supply: 12 VDC (10÷16 VDC)

MODELS			
Code F	Code FA	MOD.	DESCRIPTION
CO / W	AO	"CO"	Constant pump with stroke speed (frequency) adjustment. FCOW model with PLC control.
CL	AL	"CL"	Constant pump with level control, stroke speed (frequency) adjustment.
IC	AC	"IC"	Constant-proportional pump driven by current signal (0/4mA=0 pulses; 20mA=max pulses) and level control.
IS	AS	"IS"	Constant-proportional pump driven by external digital signal, with level control: to each external pulse corresponds one pump stroke.
PV	AV	"PV"	Constant-proportional pump driven by external digital signal, with pulse divider mode (ratio 1 to 1000) and level control.
MV	AM	"PVM"	Constant-proportional pump driven by external digital signal, level control, with pulse divider mode (ratio 1 to 100) and multiplier mode (ratio 1 to 10).
TE	AE	"TE"	(0"-60") timer pump with external digital signal and level control.
DR	AR	"PDR"	Metering pump with adjustable operation and stand-by timers, stroke speed.

CAPACITIES				
F Models			Hoses	Valve
121,5	1.5 l/h against 12 bar	0.40 GPH a 174 PSI	4 x 6	3/8"
102,2	2.2 l/h against 10 bar	0.58 GPH a 145 PSI	4 x 6	3/8"
0703	3 l/h against 7 bar	0.79 GPH a 102 PSI	4 x 6	3/8"
0705	5 l/h against 7 bar	1.32 GPH against 102 PSI	4 x 6	3/8"
0606	6 l/h against 6 bar	1.59 GPH against 87 PSI	4 x 6	3/8"
0507	7 l/h against 5 bar	1.85 GPH against 73 PSI	4 x 6	3/8"
0505	5 l/h against 5 bar	1.32 GPH against 73 PSI	4 x 6	3/8"
036,5	6.5 l/h against 3 bar	1.72 GPH against 44 PSI	4 x 6	3/8"
038,5	8.5 l/h against 3 bar	2.25 GPH against 44 PSI	4 x 6	3/8"
1005	5 l/h against 10 bar	1.32 GPH against 145 PSI	4 x 6	3/8"
0510	10 l/h against 5 bar	2.64 GPH against 73 PSI	4 x 6	3/8"
0311	11 l/h against 3 bar	2.91 GPH against 44 PSI	4 x 6	3/8"
050,2	0.2 l/h against 5 bar	0.05 GPH against 73 PSI	4 x 6	3/8"
FA Models			Hoses	Valve
103,2	3.2 l/h against 10 bar	0.85 GPH against 145 PSI	4 x 6	3/8"
100,6	0.6 l/h against 10 bar	0.16 GPH against 145 PSI	4 x 6	3/8"
071,5	1.5 l/h against 7 bar	0.40 GPH against 102 PSI	4 x 6	3/8"
053,2	3.2 l/h against 5 bar	0.85 GPH against 73 PSI	4 x 6	3/8"
036,5	6.5 l/h against 3 bar	1.71 GPH against 44 PSI	4 x 6	3/8"
034,7	4.7 l/h against 3 bar	1.24 GPH against 44 PSI	4 x 6	3/8"

Model F **CO** **121.5** **V** **00** **00**

POWER SUPPLY	
00	230 VAC Schuko plug
05	230 VAC australian plug
01	230 VAC without plug
03	115 VAC US plug
04	24 VAC without plug
05	12 VDC *
07	24 VDC

* On some models only.

LIQUID ENDS								
	HEAD	ORINGS	VALVE		DIAPHRAGM	HOSES		VISCOSITY
			Body	Balls		Delivery	Suction	
V	Polypropylene	Viton ®	Polypropylene	Ceramic	PTFE	Polyethylen	PVC	100
D	Polypropylene	Etilene Propilene	Polypropylene	Ceramic	PTFE	Polyethylen	PVC	100
W	Polypropylene	Nytrile	Polypropylene	Ceramic	PTFE	Polyethylen	PVC	100
T	Polypropylene	Viton ® + PTFE	Polypropylene	Ceramic	PTFE	Polyethylen	PVC	100
S	Polypropylene	Silicone	Polypropylene	Ceramic	PTFE	Polyethylen	PVC	100
K	PVDF	Viton ®	PVDF	Ceramic	PTFE	PVDF	PVDF	100
P	PVDF	EPDM	PVDF	Ceramic	PTFE	PVDF	PVDF	100

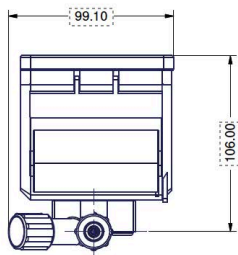
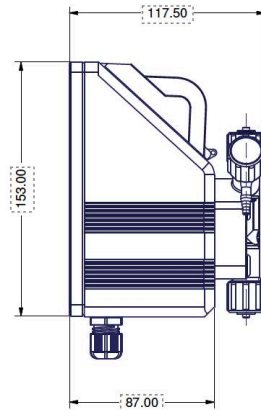
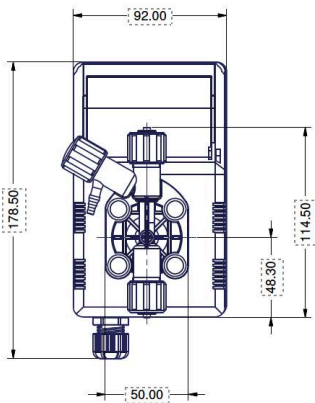
Viton ® is a registered trademark DuPont Dow Elastomers.

"F" series Metering Pumps

"F Self Venting"

Data Sheet

INFORMATION F Models							
Models	Strokes speed		Power consumption at max flow (230 VAC)	Power consumption at max flow (115 VAC)	Power consumption at max flow (24 VAC/VDC)	Power consumption at max flow (12 VDC)	Weight
	min	max					
121,5	15	150	16 Watt	11 Watt	10	10 Watt	2,2 KG (4.85 LBS)
102,2	15	150		11 Watt	10	n/a	
0703	15	150		11 Watt	10	10 Watt	
0705	15	150		13 Watt	11	n/a	
0606	15	150		13 Watt	11		
0507	15	150		13 Watt	11		
0505	15	150		11 Watt	10	10 Watt	
036,5	15	150		11 Watt	n/a	n/a	
038,5	15	150		13 Watt			
1005	15	150		24 Watt			
0510	15	150	24 Watt				
0311	15	150	24 Watt				
050,2	15	150	16 Watt	11 Watt			
information FA Models							
103,2	15	150	16 Watt	16 Watt	n/a	n/a	
100,6	15	150			16 Watt		
071,5	15	150			16 Watt		
053,2	15	150			16 Watt		
036,5	15	150			n/a		
034,7	15	150			n/a		



IP65 enclosure (NEMA4x)

"F" series metering pumps are manufactured in molded glass filled Polypropylene housing to ensure protection against aggressive chemicals and tough environment.

ENVIRONMENT:
-10°C - +45°C (14°F - 113°F)

MORE INFORMATION ABOUT F MODELS							
Model	FLOW				cc per STROKE	Maximum pressure	
	min cc/h	max l/h	Min GPH	Max GPH		bar	PSI
121,5	150	1,5	0,039	0,40	0,17	12	174
102,2	220	2,2	0,058	0,58	0,25	10	145
0703	300	3	0,079	0,79	0,34	7	101
0705	500	5	0,132	1,32	0,56	7	101
0505	500	5	0,132	1,32	0,56	5	72
0606	600	6	0,158	1,59	0,67	6	87
0507	700	7	0,184	1,85	0,78	5	72
036,5	650	6,5	0,171	1,72	0,72	3	43
038,5	850	8,5	0,224	2,25	0,95	3	43
1005	500	5	0,132	1,32	0,56	10	145
0510	1000	10	0,264	2,64	1,0	5	72
0311	1000	11	0,264	2,91	1,1	3	43
050,2	20	0,2	0,0052	0,05	0,23	5	72
MORE INFORMATION ABOUT FA MODELS							
103,2	320	3,2	0,084	0,85	0,36	10	145
100,6	60	0,015	0,005	0,16	0,07	10	145
071,5	150	1,5	0,039	0,40	0,36	7	101
053,2	320	3,2	0,084	0,85	0,17	5	72
036,5	650	6,5	0,171	1,71	0,72	3	43
034,7	470	4,7	0,124	1,24	0,52	3	43