

MULTIPLE READING DIGITAL SYSTEMS

Digital controllers for measurement and control of two parameters, with temperature reading (° C or ° F).

LD MULTICHANNEL series is controlled by an "ENCODER".

Working mode can be set:

- on / off
- pulse proportional
- proportional PWM
- fixed PWM

LD MULTICHANNEL PLUS has got, further more, working modes:

- PID
- proportional with water meter
- IN-LINE

Instruments connected in a network (up to 31 instruments) can be remotely controlled.

Combined with probes and probe holders, they can be assembled on panels to have a complete turnkey control system.

R2-06-20



REMOTE CONTROL

Remote control is available with ETHERNET or GSM/GPRS configurations.
Remote control via: www.ermes-server.com.

SOFTWARE

English software available. Ask for French or Deutsch.

CUSTOMIZATION

Instruments can be customized with client logo on frontal panel.

STAND-BY INPUT

FLOW CONTROL INPUT

PERMANENT DATA STORAGE (WITHOUT BATTERY)

System log on display.

DELAY

Programmable delay at dosing start-up (up to 60 minutes).

ALARMS

Alarms for: damaged probe; max dosage, flow, threshold, level (double level).

DISPLAY

Probe readings, alarms notification, network status (Ethernet; USB, GSM/GPRS) are shown on display.

PROBE READOUT MENU

PH PRIORITY DOSAGE

pH priority dosage on second parameter.

mA OUTPUT

As option.

MODBUS

Modbus is a serial communication protocol for connecting instruments to other devices on RS485 network.

ALARM RELAIS

230 VAC output alarm.

DOUBLE SETPOINT

Relais set for 2 setpoint.

FLOCCULANT OUTPUT (230 VAC)

LDPHCL and LDPHRH only.

INTERNAL CLOCK

AUTOMATIC OR MANUAL DOSING ACTIVITY

LD MULTICHANNEL PLUS ONLY

WATER METER INPUT

mA WATER METER INPUT (ON REQUEST)

mA OUTPUT

PID

LD MULTICHANNEL - LD MULTICHANNEL PLUS

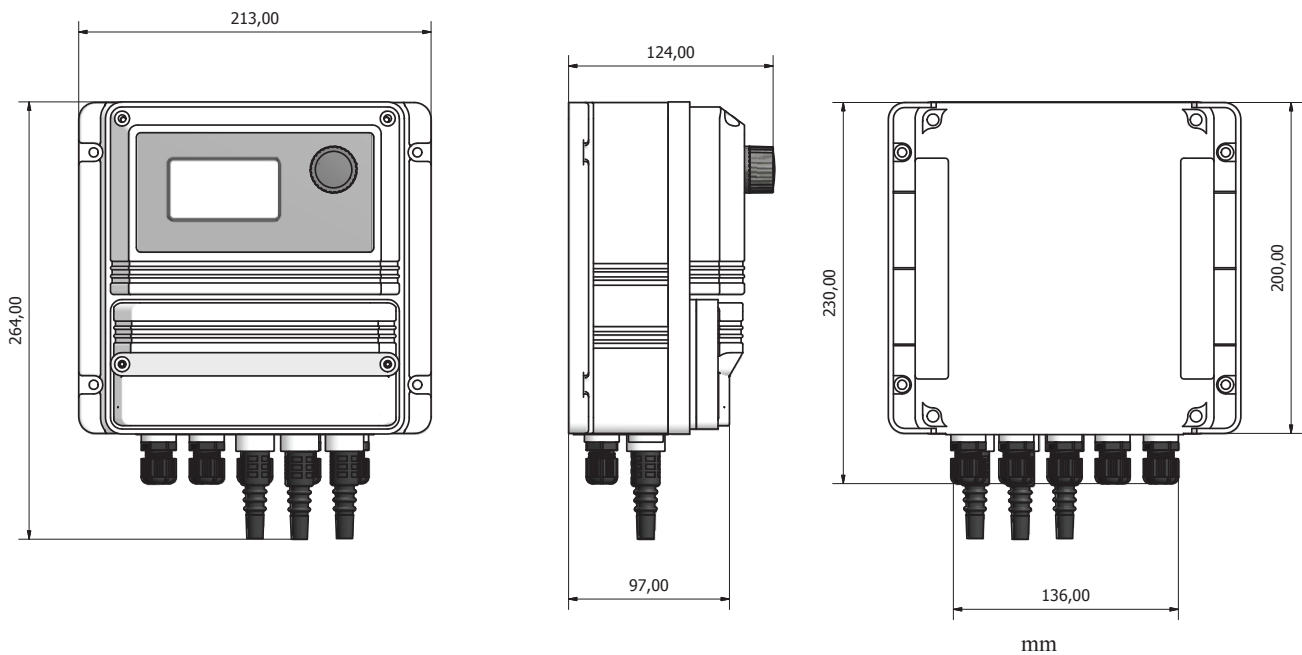
Data Sheet

MULTIPLE READING DIGITAL SYSTEMS

MODELS

STANDARD	PLUS	MEASURING PARAMETER
LDPHCL	LDPHCL PLUS	pH and Chlorine (or hydrogen peroxyde, ozone, peracetic acid, chlorine dioxide, bromine)
LDPHRH	LDPHRH PLUS	pH and ORP
LDPHCD	LDPHCD PLUS	pH and Conductivity
LDPHCDIND	LDPHCDIND PLUS	pH and Inductive Conductivity (probe mod. ECDINDPT)
LDPHTORBH	LDPHTORBH PLUS	pH and Turbidity (probe mod. ETORBH)
LDPHTRC	LDPHTRC PLUS	pH and tracers (probe mod. ETRC)
LDCDCD	LDCDCD PLUS	2 Channels for Conductivity

DIMENSIONS



MULTIPLE READING DIGITAL SYSTEMS

LDPHCL - LDPHCL PLUS

	LDPHCL	LDPHCL PLUS
MEASURING PARAMETER	pH / chlorine	
RANGE	0-14 pH / chlorine based on probe model ¹	
TEMPERATURE COMPENSATION	Chlorine and PH (with ECL6 only)	
CONTROL	Prop. - On/Off	Prop. - On/Off - PID - Prop.+WM - IN-LINE
INPUT SIGNAL	BNC connector for pH - PCB for Chlorine	
POWER SUPPLY	85-264 VAC; 50/60 Hz	
AVERAGE CONSUMPTION	25 W	
ON/OFF OUTPUT	2 relays; 5A @ 230 VAC (fuse protected)	
ALARM OUTPUT	85-264VAC alarm output	
INPUT	Stand-by Flow PH+ level PH- level Chlorine level PH probe Chlorine probe Temperature probe	Stand-by Flow PH+ level PH- level Chlorine level PH probe Chlorine probe Temperature probe Water meter mA water meter ²
OUTPUT	2 proportional impulsive (pH) Proportional impulsive (Cl) Proportional on/off (pH) Proportional on/off (Cl) 3 mA output (pH, Cl, temperature) as option ² Flocculant output (230 VAC) General alarm	2 proportional impulsive (pH) Proportional impulsive (Cl) Proportional on/off (pH) Proportional on/off (Cl) 3 mA output (pH, Cl, temperature) Flocculant output (230 VAC) General alarm
ENVIRONMENT TEMPERATURE	-10°C ... 50°C (14°F ... 122°F)	
PROTECTION	IP65 - % working UR: 85% with ≤40 °C; 70% at 50 °C (non condensing)	
POLLUTION LEVEL	2	
ENCLOSURE	ABS	
TEST/CERTIFICATION	CE	
DIMENSIONS	refer to the drawing	
WEIGHT	1,45 kg (3.1967 lb)	
INSTALLATION	vertical wall (4 fixing holes)	
OPTIONS ²	<ul style="list-style-type: none"> • mA output • 9-18 or 18-36 VDC power supply • ADVANCED USB configuration ³ • ETHERNET configuration ³ • GSM/GPRS configuration ³ • MODBUS configuration ³ • WIFI configuration ³ 	<ul style="list-style-type: none"> • mA Water Meter input • POWER SUPPLY 9-30 VDC • ADVANCED USB configuration ³ • ETHERNET configuration ³ • GSM/GPRS configuration ³ • MODBUS configuration ³ • WIFI configuration ³

¹ Chlorine probe:

SCL 3S/20	0-20.00 mg/l
SCL 3N/2	0-2.000 mg/l
SCL 3N/20	0-20.00 mg/l
SCL 3N/200	0-200.0 mg/l
SCL 8/2	0-2.000 mg/l
SCL 8/20	0-20.00 mg/l
SCL 9/200	0-200.0 mg/l
SCL 10/2	0-2.000 mg/l
SCL 10/20	0-20.00 mg/l
SCL 11/200	0-200.0 mg/l
SCL 11/2000	0-2000 mg/l

SCL 2/2	0-2.000 mg/l
SCL 2/20	0-20.00 mg/l
SCL 17/2	0-2.000 mg/l
SCL 17/20	0-20.00 mg/l
SCL 18/2	0-2.000 mg/l
SCL 18/20	0-20.00 mg/l
SBR 20	0-20.00 mg/l
OPEN AMPEROMETRIC CELL	
ECL 4, 5, 6, 6E, 7, 12, 12E	0-10.00 mg/l or Br

² On request.

³ For configuration features refer to the table at the end of the document.

MULTIPLE READING DIGITAL SYSTEMS

LDPHRH - LDPHRH PLUS

	LDPHRH	LDPHRH PLUS
MEASURING PARAMETER	pH / ORP	
RANGE	0-14 pH / 0-1000 mV; resolution: 0,1	
TEMPERATURE COMPENSATION	pH	
CONTROL	Prop. - On/Off	Prop. - On/Off - PID - Prop.+WM - IN-LINE
INPUT SIGNAL	BNC connector for pH - BNC connector for ORP	
POWER SUPPLY	85-264 VAC; 50/60 Hz	
AVERAGE CONSUMPTION	25 W	
ON/OFF OUTPUT	2 relays; 5A @ 230 VAC (fuse protected)	
ALARM OUTPUT	85-264VAC alarm output	
INPUT	Stand-by Flow PH+ level PH- level ORP level PH probe ORP probe Temperature probe	Stand-by Flow PH+ level PH- level ORP level PH probe ORP probe Temperature probe Water meter mA water meter ¹
OUTPUT	2 proportional impulsive(pH) Proportional impulsive (ORP) Proportional on/off (pH) Proportional on/off (ORP) 3 mA output (pH, ORP, temperature) as option ¹ Flocculant output (230 VAC) General alarm	2 proportional impulsive(pH) Proportional impulsive (ORP) Proportional on/off (pH) Proportional on/off (ORP) 3 mA output (pH, ORP, temperature) Flocculant output (230 VAC) General alarm
ENVIRONMENT TEMPERATURE	-10°C ... 50°C (14°F ... 122°F)	
PROTECTION	IP65 - % working UR: 85% with ≤40 °C; 70% at 50 °C (non condensing)	
POLLUTION LEVEL	2	
ENCLOSURE	ABS	
TEST/CERTIFICATION	CE	
DIMENSIONS	refer to the drawing	
WEIGHT	1,45 kg (3.1967 lb)	
INSTALLATION	vertical wall (4 fixing holes)	
OPTIONS ¹	<ul style="list-style-type: none"> • mA output • 9-18 or 18-36 VDC power supply • ADVANCED USB configuration ² • ETHERNET configuration ² • GSM/GPRS configuration ² • MODBUS configuration ² • WIFI configuration ² 	<ul style="list-style-type: none"> • mA Water Meter input • POWER SUPPLY 9-30 VDC • ADVANCED USB configuration ² • ETHERNET configuration ² • GSM/GPRS configuration ² • MODBUS configuration ² • WIFI configuration ²

¹ On request.

² For configuration features refer to the table at the end of the document.

MULTIPLE READING DIGITAL SYSTEMS

LDCDCD - LDCDCD PLUS

	LDCDCD	LDCDCD PLUS
MEASURING PARAMETER	Double Channel for Conductivity with temperature reading (°C or °F)	
RANGE	0-300,0 µS 0-3000 µS 0-30,00 mS 0-300,0 mS	
TEMPERATURE COMPENSATION	Conductivity	
CONTROL	Prop. - On/Off	Prop. - On/Off - PID - Prop.+WM - IN-LINE
INPUT SIGNAL	2 PCB for conductivity	
POWER SUPPLY	85-264 VAC; 50/60 Hz	
AVERAGE CONSUMPTION	25 W	
ON/OFF OUTPUT	2 relays; 5A @ 230 VAC (fuse protected)	
ALARM OUTPUT	85-264VAC alarm output	
INPUT	Stand-by Flow CD+ level CD- level Conductivity level 2 Conductivity probes Temperature probe	Stand-by Flow CD+ level CD- level Conductivity level 2 Conductivity probes Temperature probe Water meter mA water meter ¹
OUTPUT	3 Proportional impulsive (Conductivity) 2 Proportional on/off (Conductivity) 3 mA output (Conductivity, temperature) as option ¹ General alarm	3 Proportional impulsive (Conductivity) 2 Proportional on/off (Conductivity) 3 mA output (Conductivity, temperature) General alarm
ENVIRONMENT TEMPERATURE	-10°C ... 50°C (14°F ... 122°F)	
PROTECTION	IP65 - % working UR: 85% with ≤40 °C; 70% at 50 °C (non condensing)	
POLLUTION LEVEL	2	
ENCLOSURE	ABS	
TEST/CERTIFICATION	CE	
DIMENSIONS	refer to the drawing	
WEIGHT	1,45 kg (3.1967 lb)	
INSTALLATION	vertical wall (4 fixing holes)	
OPTIONS ¹	<ul style="list-style-type: none"> • mA output • 9-18 or 18-36 VDC power supply • ADVANCED USB configuration ² • ETHERNET configuration ² • GSM/GPRS configuration ² • MODBUS configuration ² • WIFI configuration ² 	<ul style="list-style-type: none"> • mA Water Meter input • POWER SUPPLY 9-30 VDC • ADVANCED USB configuration ² • ETHERNET configuration ² • GSM/GPRS configuration ² • MODBUS configuration ² • WIFI configuration ²

¹ On request.² For configuration features refer to the table at the end of the document.

MULTIPLE READING DIGITAL SYSTEMS

LDPHCD - LDPHCD PLUS

	LDPHCD	LDPHCD PLUS
MEASURING PARAMETER	pH / Conductivity with temperature reading (°C or °F)	
RANGE	0-14 pH / 0-300,0 µS 0-14 pH / 0-3000 µS 0-14 pH / 0-30,00 mS 0-14 pH / 0-300,0 mS	
TEMPERATURE COMPENSATION	ph and conductivity	
CONTROL	Prop. - On/Off	Prop. - On/Off - PID - Prop.+WM - IN-LINE
INPUT SIGNAL	BNC connector for pH - PCB for conductivity	
POWER SUPPLY	85-264 VAC; 50/60 Hz	
AVERAGE CONSUMPTION	25 W	
ON/OFF OUTPUT	2 relays; 5A @ 230 VAC (fuse protected)	
ALARM OUTPUT	85-264VAC alarm output	
INPUT	Stand-by Flow PH+ level PH- level Conductivity level PH probe Conductivity probe Temperature probe	Stand-by Flow PH+ level PH- level Conductivity level PH probe Conductivity probe Temperature probe Water meter mA water meter ¹
OUTPUT	2 proportional impulsive (pH) Proportional impulsive (Conductivity) Proportional on/off (pH) Proportional on/off (Conductivity) 3 mA output (pH, Conductivity, temperature) as option ¹ General alarm	2 proportional impulsive (pH) Proportional impulsive (Conductivity) Proportional on/off (pH) Proportional on/off (Conductivity) 3 mA output (pH, Conductivity, temperature) General alarm
ENVIRONMENT TEMPERATURE	-10°C ... 50°C (14°F ... 122°F)	
PROTECTION	IP65 - % working UR: 85% with ≤40 °C; 70% at 50 °C (non condensing)	
POLLUTION LEVEL	2	
ENCLOSURE	ABS	
TEST/CERTIFICATION	CE	
DIMENSIONS	refer to the drawing	
WEIGHT	1,45 kg (3.1967 lb)	
INSTALLATION	vertical wall (4 fixing holes)	
OPTIONS ¹	<ul style="list-style-type: none"> • mA output • 9-18 or 18-36 VDC power supply • ADVANCED USB configuration ² • ETHERNET configuration ² • GSM/GPRS configuration ² • MODBUS configuration ² • WIFI configuration ² 	<ul style="list-style-type: none"> • mA Water Meter input • POWER SUPPLY 9-30 VDC • ADVANCED USB configuration ² • ETHERNET configuration ² • GSM/GPRS configuration ² • MODBUS configuration ² • WIFI configuration ²

¹ On request.² For configuration features refer to the table at the end of the document.

MULTIPLE READING DIGITAL SYSTEMS

LDPHCD IND - LDPHCD IND PLUS

	LDPHCD IND	LDPHCD IND PLUS
MEASURING PARAMETER	pH / Inductive conductivity with temperature reading (°C or °F)	
RANGE	0-14 pH / 0-3,000 mS 0-14 pH / 0-30,00 mS 0-14 pH / 0-300,0 mS	
TEMPERATURE COMPENSATION	ph and conductivity	
CONTROL	Prop. - On/Off	Prop. - On/Off - PID - Prop.+WM - IN-LINE
INPUT SIGNAL	BNC connector for pH - PCB for conductivity	
POWER SUPPLY	85-264 VAC; 50/60 Hz	
AVERAGE CONSUMPTION	25 W	
ON/OFF OUTPUT	2 relays; 5A @ 230 VAC (fuse protected)	
ALARM OUTPUT	85-264VAC alarm output	
INPUT	Stand-by Flow PH+ level PH- level Inductive conductivity level PH probe Inductive conductivity probe Temperature probe	Stand-by Flow PH+ level PH- level Inductive conductivity level PH probe Inductive conductivity probe Temperature probe Water meter mA water meter ¹
OUTPUT	2 proportional impulsive (pH) Proportional impulsive (Inductive conductivity) Proportional on/off (pH) Proportional on/off (Inductive conductivity) 3 mA output (pH, Inductive conductivity, temperature) as option ¹ General alarm	2 proportional impulsive (pH) Proportional impulsive (Inductive conductivity) Proportional on/off (pH) Proportional on/off (Inductive conductivity) 3 mA output (pH, Inductive conductivity, temperature) General alarm
ENVIRONMENT TEMPERATURE	-10°C ... 50°C (14°F ... 122°F)	
PROTECTION	IP65 - % working UR: 85% with ≤40 °C; 70% at 50 °C (non condensing)	
POLLUTION LEVEL	2	
ENCLOSURE	ABS	
TEST/CERTIFICATION	CE	
DIMENSIONS	refer to the drawing	
WEIGHT	1,45 kg (3.1967 lb)	
INSTALLATION	vertical wall (4 fixing holes)	
OPTIONS ¹	<ul style="list-style-type: none"> • mA output • 9-18 or 18-36 VDC power supply • ADVANCED USB configuration ² • ETHERNET configuration ² • GSM/GPRS configuration ² • MODBUS configuration ² • WIFI configuration ² 	<ul style="list-style-type: none"> • mA Water Meter input • POWER SUPPLY 9-30 VDC • ADVANCED USB configuration ² • ETHERNET configuration ² • GSM/GPRS configuration ² • MODBUS configuration ² • WIFI configuration ²

¹ On request.² For configuration features refer to the table at the end of the document.

MULTIPLE READING DIGITAL SYSTEMS

LDPHTORBH - LDPHTORBH PLUS

	LDPHTORBH	LDPHTORBH PLUS
MEASURING PARAMETER	pH / Turbidity with temperature reading (°C or °F)	
RANGE	0-14 pH / 0-9999 NTU	
TEMPERATURE COMPENSATION	pH	
CONTROL	Prop. - On/Off	Prop. - On/Off - PID - Prop.+WM - IN-LINE
INPUT SIGNAL	BNC connector for pH - PCB for Turbidity	
POWER SUPPLY	85-264 VAC; 50/60 Hz	
AVERAGE CONSUMPTION	25 W	
ON/OFF OUTPUT	2 relays; 5A @ 230 VAC (fuse protected)	
USCITA ALLARME	85-264VAC alarm output	
INPUT	Stand-by Flow PH+ level PH- level Turbidity level PH probe Turbidity probe Temperature probe	Stand-by Flow PH+ level PH- level Turbidity level PH probe Turbidity probe Temperature probe Water meter mA water meter ¹
OUTPUT	2 proportional impulsive (pH) Proportional impulsive (Turbidity) Proportional on/off (pH) Proportional on/off (Turbidity) 3 mA output (pH, Turbidity, temperature) as option ¹ General alarm	2 proportional impulsive (pH) Proportional impulsive (Turbidity) Proportional on/off (pH) Proportional on/off (Turbidity) 3 mA output (pH, Turbidity, temperature) General alarm
ENVIRONMENT TEMPERATURE	-10°C ... 50°C (14°F ... 122°F)	
PROTECTION	IP65 - % working UR: 85% with ≤40 °C; 70% at 50 °C (non condensing)	
POLLUTION LEVEL	2	
ENCLOSURE	ABS	
TEST/CERTIFICATION	CE	
DIMENSIONS	refer to the drawing	
WEIGHT	1,45 kg (3.1967 lb)	
INSTALLATION	vertical wall (4 fixing holes)	
OPTIONS ¹	<ul style="list-style-type: none"> • mA output • 9-18 or 18-36 VDC power supply • ADVANCED USB configuration ² • ETHERNET configuration ² • GSM/GPRS configuration ² • MODBUS configuration ² • WIFI configuration ² 	<ul style="list-style-type: none"> • mA Water Meter input • POWER SUPPLY 9-30 VDC • ADVANCED USB configuration ² • ETHERNET configuration ² • GSM/GPRS configuration ² • MODBUS configuration ² • WIFI configuration ²

¹ On request.² For configuration features refer to the table at the end of the document.

MULTIPLE READING DIGITAL SYSTEMS

LDPHTRC - LDPHTRC PLUS

	LDPHTRC	LDPHTRC PLUS
MEASURING PARAMETER	pH / Tracers	
RANGE	0-14 pH / 0-999.9 ppm	
TEMPERATURE COMPENSATION	/	
CONTROL	Prop. - On/Off	Prop. - On/Off - PID - Prop.+WM - IN-LINE
INPUT SIGNAL	BNC connector for pH - PCB for TRC	
POWER SUPPLY	85-264 VAC; 50/60 Hz	
AVERAGE CONSUMPTION	25 W	
ON/OFF OUTPUT	2 relays; 5A @ 230 VAC (fuse protected)	
USCITA ALLARME	85-264VAC alarm output	
INPUT	Stand-by Flow PH+ level PH- level TRC level PH probe TRC probe Temperature probe	Stand-by Flow PH+ level PH- level TRC level PH probe TRC probe Temperature probe Water meter mA water meter ¹
OUTPUT	2 proportional impulsive (pH) Proportional impulsive (TRC) Proportional on/off (pH) Proportional on/off (TRC) 3 mA output (pH, TRC, temperature) as option ¹ General alarm	2 proportional impulsive (pH) Proportional impulsive (TRC) Proportional on/off (pH) Proportional on/off (TRC) 3 mA output (pH, TRC, temperature) General alarm
ENVIRONMENT TEMPERATURE	-10°C ... 50°C (14°F ... 122°F)	
PROTECTION	IP65 - % working UR: 85% with ≤40 °C; 70% at 50 °C (non condensing)	
POLLUTION LEVEL	2	
ENCLOSURE	ABS	
TEST/CERTIFICATION	CE	
DIMENSIONS	refer to the drawing	
WEIGHT	1,45 kg (3.1967 lb)	
INSTALLATION	vertical wall (4 fixing holes)	
OPTIONS ¹	<ul style="list-style-type: none"> • mA output • 9-18 or 18-36 VDC power supply • ADVANCED USB configuration ² • ETHERNET configuration ² • GSM/GPRS configuration ² • MODBUS configuration ² • WIFI configuration ² 	<ul style="list-style-type: none"> • mA Water Meter input • POWER SUPPLY 9-30 VDC • ADVANCED USB configuration ² • ETHERNET configuration ² • GSM/GPRS configuration ² • MODBUS configuration ² • WIFI configuration ²

MULTIPLE READING DIGITAL SYSTEMS

LDPHDO - LDPHDO PLUS

	LDPHDO	LDPHDO PLUS
MEASURING PARAMETER	pH / Dissolved oxygen with temperature reading (°C or °F)	
RANGE	0-14 pH / 0-9,999 mg/l 0-14 pH / 0-999,9 mg/l 0-14 pH / 0-9999 mg/l	
TEMPERATURE COMPENSATION	ph and dissolved oxygen	
CONTROL	Prop. - On/Off	Prop. - On/Off - PID - Prop.+WM - IN-LINE
INPUT SIGNAL	BNC connector for pH - PCB for for Dissolved Oxygen	
POWER SUPPLY	85-264 VAC; 50/60 Hz	
AVERAGE CONSUMPTION	25 W	
ON/OFF OUTPUT	2 relays; 5A @ 230 VAC (fuse protected)	
ALARM OUTPUT	85-264VAC alarm output	
INPUT	Stand-by Flow PH+ level PH- level Inductive dissolved oxygen level PH probe Inductive dissolved oxygen probe Temperature probe	Stand-by Flow PH+ level PH- level Inductive dissolved oxygen level PH probe Inductive dissolved oxygen probe Temperature probe Water meter mA water meter ¹
OUTPUT	2 proportional impulsive (pH) Proportional impulsive (Inductive dissolved oxygen) Proportional on/off (pH) Proportional on/off (Inductive dissolved oxygen) 3 mA output (pH, Inductive dissolved oxygen, temperature) as option ¹ General alarm	2 proportional impulsive (pH) Proportional impulsive (Inductive dissolved oxygen) Proportional on/off (pH) Proportional on/off (Inductive dissolved oxygen) 3 mA output (pH, Inductive dissolved oxygen, temperature) General alarm
ENVIRONMENT TEMPERATURE	-10°C ... 50°C (14°F ... 122°F)	
PROTECTION	IP65 - % working UR: 85% with ≤40 °C; 70% at 50 °C (non condensing)	
POLLUTION LEVEL	2	
ENCLOSURE	ABS	
TEST/CERTIFICATION	CE	
DIMENSIONS	refer to the drawing	
WEIGHT	1,45 kg (3.1967 lb)	
INSTALLATION	vertical wall (4 fixing holes)	
OPTIONS ¹	<ul style="list-style-type: none"> • mA output • 9-18 or 18-36 VDC power supply • ADVANCED USB configuration ² • ETHERNET configuration ² • GSM/GPRS configuration ² • MODBUS configuration ² • WIFI configuration ² 	<ul style="list-style-type: none"> • mA Water Meter input • POWER SUPPLY 9-30 VDC • ADVANCED USB configuration ² • ETHERNET configuration ² • GSM/GPRS configuration ² • MODBUS configuration ² • WIFI configuration ²

¹ On request.² For configuration features refer to the table at the end of the document.

MULTIPLE READING DIGITAL SYSTEMS

CONFIGURATIONS

INSTRUMENT Configuration	PLUS	WHEN	REQUIREMENTS	FUNCTION
BASIC (standard)	/	For local control only	/	RS485 output to link other EMEC instruments or a PC
ADVANCED USB	USB output	You do not need a PC on your plant: you can download data log on a USB device	/	RS485 output to link other EMEC instruments or a PC Data Log on USB device
ETHERNET	LAN network between instrument and web	Remote control via WEB ERMES	LAN wiring (RJ-45)	RS485 output to link other EMEC instruments or a PC Web ERMES remote control (PC, smartphone or tablet) Alarm messages via email
GSM/GPRS	GPRS modem between instrument and web	Remote control via WEB ERMES	Network coverage	RS485 output to link other EMEC instruments or a PC Web ERMES remote control (PC, smartphone or tablet) Alarm messages via email Alarm messages via SMS
MODBUS	Connection to other devices (PLC) via RS485	PLC plant management	/	PLC connection output for reading and modifying parameters